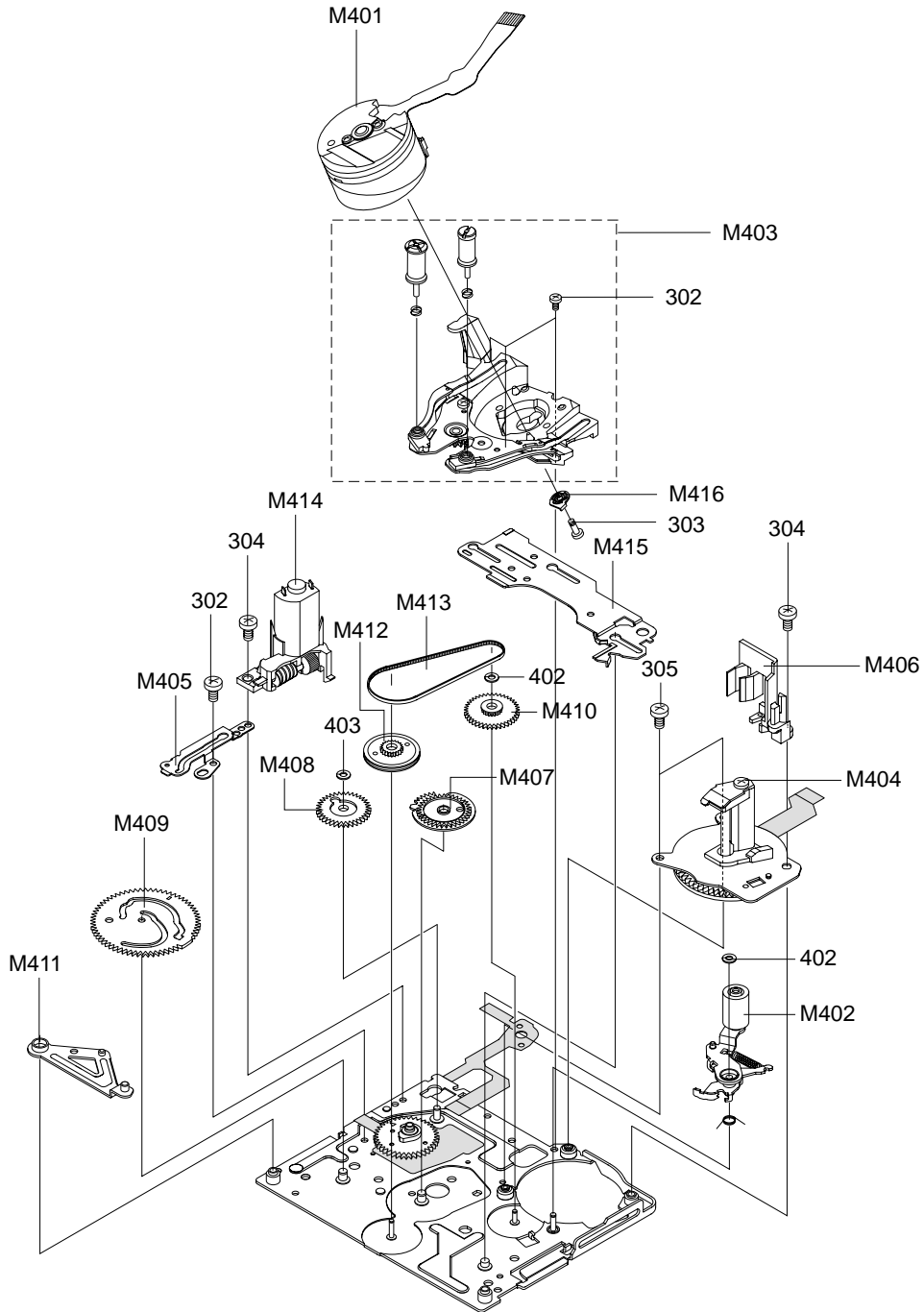


Mechanical Parts (1) (MAIN CHASSIS)



Mechanical Parts (2) (SUB CHASSIS)

