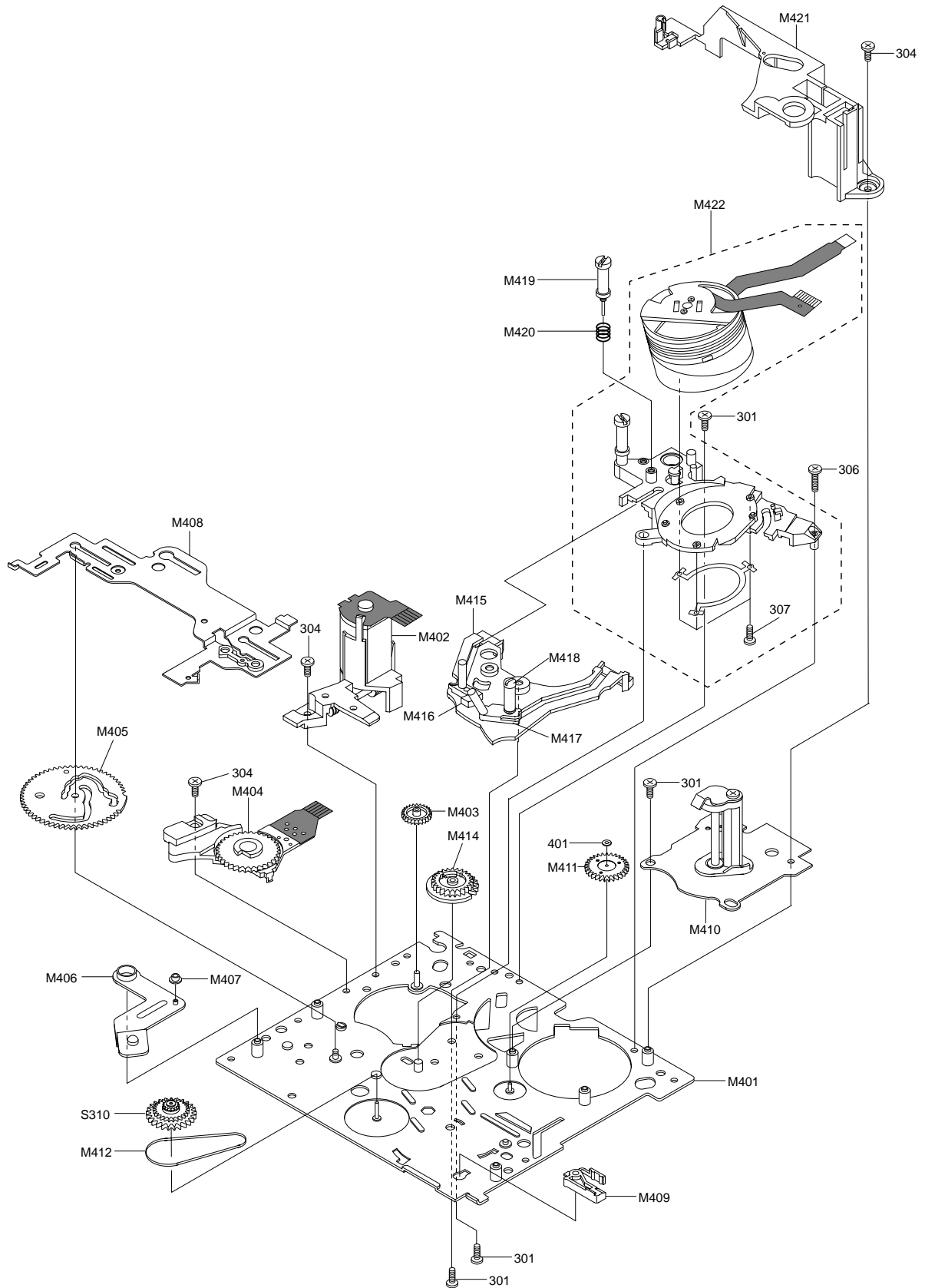


# Mechanical Parts (Main Chassis)



# Mechanical Parts (Sub Chassis)

---

