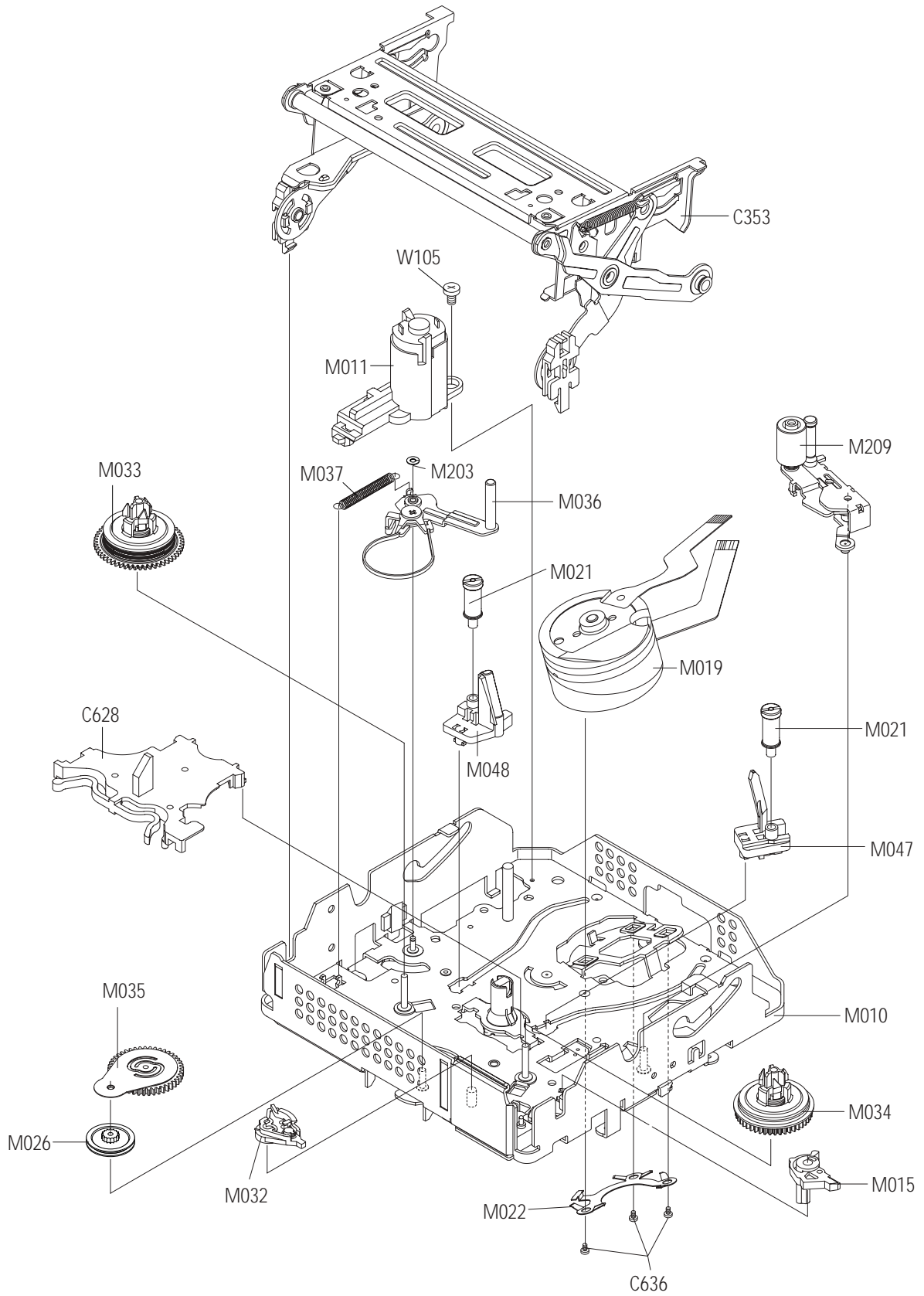


Mechanical Parts (Main Chassis)



Mechanical Parts (Sub Chassis)

